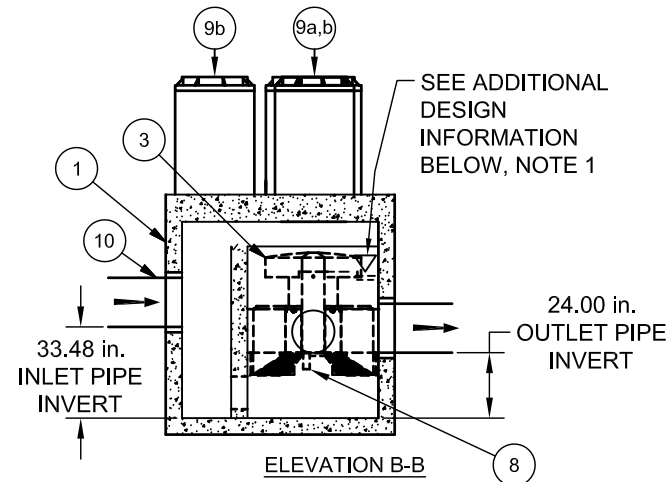
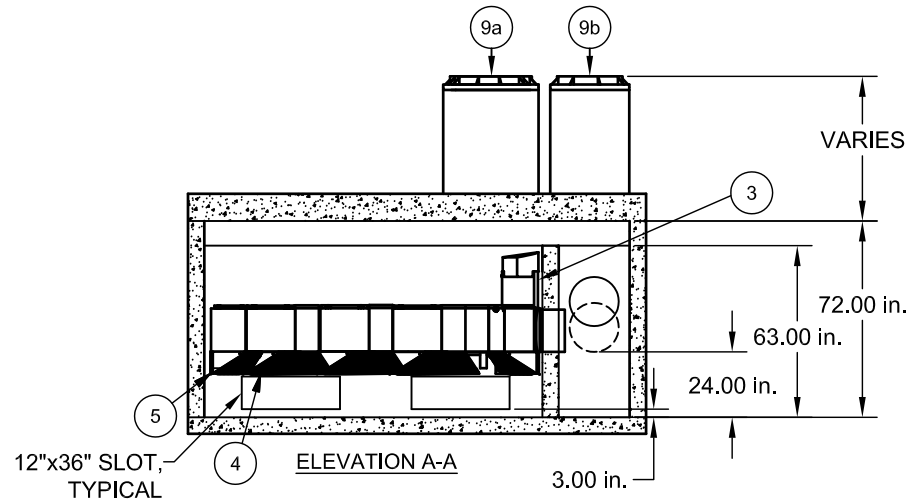
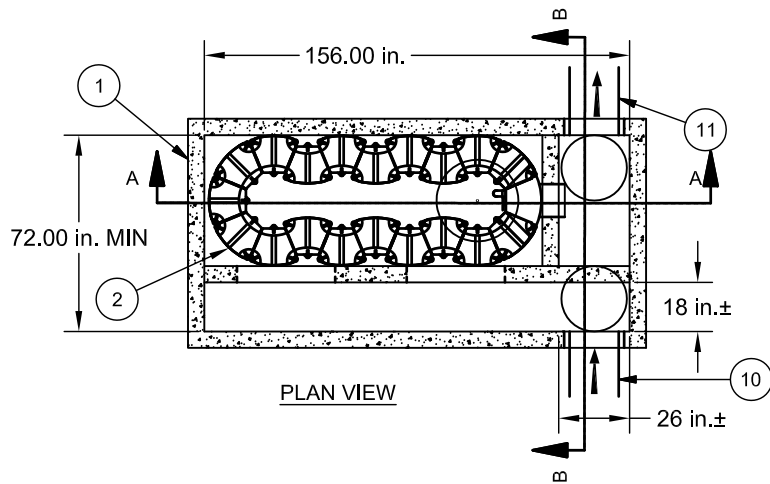


NOT FOR CONSTRUCTION, EXAMPLE ONLY,
DRAWING WILL BE MODIFIED TO SUIT
REQUIREMENTS OF SITE.



Notes

1. MANHOLE WALL AND SLAB THICKNESSES ARE NOT TO SCALE.
2. CONTACT HYDRO INTERNATIONAL FOR A BOTTOM OF STRUCTURE ELEVATION PRIOR TO SETTING DOWNSTREAM DEFENDER MANHOLE.

REVISION HISTORY			
REV	BY	DATE	DESCRIPTION
A	JL	5/23/13	PARTS LIST
Date		3/19/13	Scale
			NTS
Drawn	Checked	Approved	
RC			

Title

6-FT x 13-FT VAULT
UP-FLO FILTER
19 MODULES (19 MAX)

1-ROW VAULT - OFFLINE



Stormwater Solutions
94 Hutchins Drive
Portland, Maine 04102
Tel: (207) 756-6200
Fax: (207) 756-6212
stormwaterinquiry@hydro-int.com

Parts List			
ITEM	QTY	DESCRIPTION	SIZE
1	1	PRECAST VAULT (BY HYDRO VIA PRECASTER)	72 in x 156 in
2	19	FILTER MODULE	
3	1	OUTLET MODULE AND BYPASS HOOD	
4	3,3	DUAL SUPPORT BRACKET W/ ANGLED SCREEN	RIGHT, LEFT
5	7	SINGLE SUPPORT BRACKET W/ ANGLED SCREEN	
6	7	BACKER PLATE FOR SINGLE SUPPORT	
	1	OUTLET SUPPORT BRACKET	
7	4	TRIANGULAR MOUNTING BRACKET	
8	1	DRAIN DOWN FILTER	
9a, 9b	1, 2	FRAME AND COVERS	30 in, 24 in
10	1	INLET PIPE (BY OTHERS)	15 in
11	1	OUTLET PIPE (BY OTHERS)	15 in

CAPACITIES:

1. Minimum performance: 80% removal of Sil-Co-Sil 106 (d50 = 22 microns) at the peak treatment flow.
2. NJDEP peak treatment flow: 0.045 cfs/module * OR 0.3 acres of Imperviousness/module, whichever results in the greater number of modules.
3. Maximum number of modules: 19 **
4. Exact vault and pipe sizes may vary.

ADDITIONAL DESIGN INFORMATION:

1. * Normal operating W.S.E. is 2.46' above the outlet invert at the peak treatment flow of 0.045 cfs/module. For a given flow the head requirement can be reduced by adding additional filters.
2. ** Treatment flows that require more modules will require a larger vault design or different arrangement.
3. Media Type: Sand

Any warranty made by Hydro International only applies to those items supplied by it. Hydro International does not accept and expressly disclaims any responsibility or liability for any structure, plant or equipment (or the performance thereof) designed, built, manufactured or supplied by any third-party. Hydro International has a policy of continuous product development and reserves the right to amend the specifications of any of its products or equipment at any time. Hydro International expressly disclaims any liability for the performance of its equipment (or any part thereof) used or made subject to conditions outside of the conditions set forth in Hydro International's design specifications. Hydro International owns the copyright in and to this drawing, which is supplied in confidence, and all intended recipients of the drawing, by their use thereof, agree to hold the drawing in confidence and not to use it for any purpose other than for which it was supplied and not reproduce, in whole or in part, the drawing or any of the equipment or structures depicted therein, without prior written permission of Hydro International.